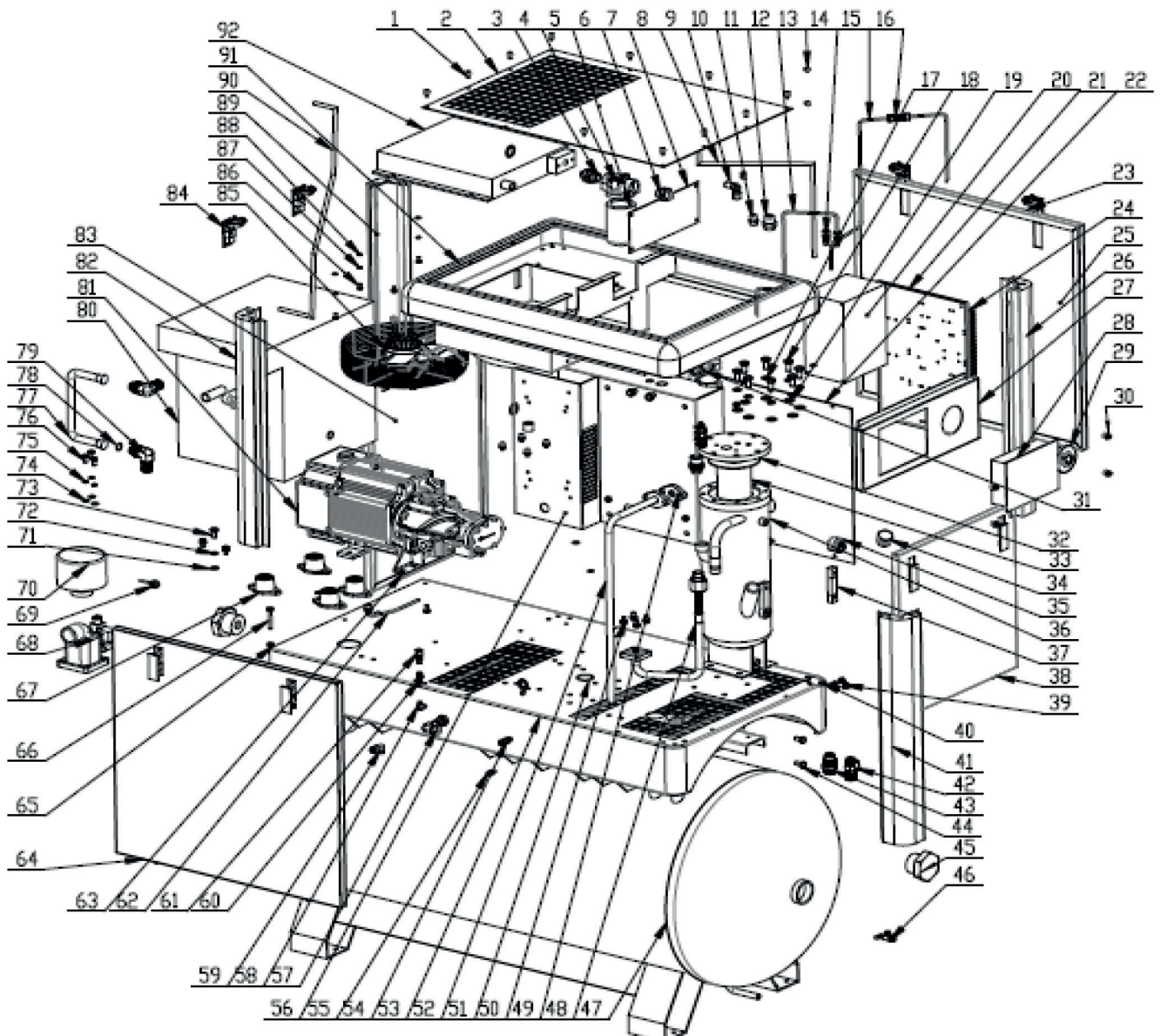




TECHNICAL DRAWING
APS 10 IVR Combi Dry X

REF. NO.: 369212-IVR





SPARE PARTS LIST

APS 10 IVR Combi Dry X

REF. NO.: 369212-IVR

Ref. code	SKU	Designation	Model/Specification	Qty
1		Outer hexagon screw with flange	M6 × 10	13
2		Head cover plate	cold rolled steel plate/δ1.5	1
3		Straight adjustable connector	0 degree R3/8-G3/4	1
4		Oil filter base	Rp3/4-Rp3/4-M24 × 1.5	1
5		Oil filter	W719	1
6		90°Adjustable connector	0 degree R3/4 - Φ10	1
7		Fan cover plate	cold rolled steel plate/δ1.2	1
8		Barrels of oil pipe	Φ10	1
9		90°Adjustable connector	90 degree G3/8 - Φ10	2
10		The fan can not pull off	PG9	1
11		Control line can not pull off	PG21	1
12		Solenoid valve connecting pipe	Φ6	1
13		Cross recessed pan head screw	M6 × 10	4
14		Adjustable connector	0 degree R1/4 - Φ6	3
15		Oil return pipe of air end	Φ6	1
16		Adjustable connector	Φ6 - Φ6	
17		Spring washer	Φ12	8
18		Outer hexagon bolt	M12 × 35	8
19		Flat gasket	Φ12	8
20		Inverter	Z2000T-7R5GY-4(E)	1
21		Electric control panel	cold rolled steel plate/δ1.5	1
22		Acrylic board	10AT-JFPM	
23		Electric control system	10A-JFAM	1
24		Right shutter	Cold rolled steel plate/δ1.2	1
25		Sponge	10ATD-XLPM-HM	1
26		Vertical shaft on right side r	cold rolled steel plate/δ1.5	1
27		Main controller fixed plate	cold rolled steel plate/δ1.5	1
28		Controller	6080M	1
29		Emergency "stop" button	LAY5-BS544	1
30		Inside hexagonal bolt	M8 × 25	20
31		Min. Pressure valve	MPV-20F-Y	1
32		19 × 2	19 × 2	1
33		Oil-gas separator	Φ135 × Φ90 × 40 × 140	1
34		Oil cock	M27 × 1.5	1
35		Φ50 pressure gauge of the oil-gas barrel	Φ50, R1/4	1
36		Oil-gas barrel	3316 10A-XLAM	1
37		Oil level sight glass	114 × 22 × 20	1
38		Front shutter	cold rolled steel plate/δ1.2	1
39		Ball valve	R1/4-Rp1/4	1

**369212-IVR PARTS LIST**

REF. NO.: 369212-IVR

Ref. code	SKU	Designation	Model/Specification	Qty
40		Pressure sensor	R1/4	1
41		Vertical shaft on left side of the front shutter	Cold rolled steel plate/δ1.5	1
42		Ce authentication safety valve	R1/2	1
43		Straight connector	0 degree R3/4-M33 × 2	2
44		Outer hexagon bolt	M10 × 35 (with oil hole)	2
45		Plug in observation hole	NPSM 1-1/2" × 35	2
46		Ball valve	R1/4-Rp1/4	2
47		Tank	10AT-CE-2-24	1
48		Exhaust bellows of the air end	Φ20	1
49		Flange	Φ20	1
50		Outer hexagon bolt	M8 × 30	4
51		O seal ring	Φ40 × 2.65	1
52		Exhausting pipe of oil tank	10ATD-JFAM-04-05.5	1
53		Base plate	cold rolled steel plate/δ2	1
54		Connector	0 degree R1/4-Φ6	1
55		Straight connector	R1/8-R1/8	1
56		Electric control box	electric control box	1
57		90° Adjustable connector	90 degree G1/2-Φ10-Rp1/8	1
58		Right-angle bend	90 degree R1/8-Rp1/8	1
59		Straight connector	90 degree R1/8-Φ6	2
60		Oil return valve	Rp1/8-Rp1/8	1
61		Straight connector	0 degree R1/8-Φ6	1
62		Bearing lubrication return oil pipe	Φ6	1
63		Host frame	square steel 60 × 40	1
64		Left shutter	cold rolled steel plate/δ1.2	1
65		Hexagon nut	M8	15
66		Outer hexagon bolt	M8 × 70	2
67		Cushioning washer	RM-60	4
68		Air inlet valve	AIV-40B-K/HJF45-K-YDK	1
69		Temperature sensor	PT100 (35 mm)	1
70		Air filter	Φ110 × Φ49 × 80 × 40 Φ135 × 85	1
71		Flat gasket φ10	Φ10	10
72		Spring washer φ10	Φ10	10
73		Outer hexagon bolt	M10 × 35	4
74		Flat gasket φ8	Φ8	65
75		Spring washer φ8	Φ8	65
76		Outer hexagon bolt	M8 × 25	50
77		Air inlet pipe for dryer	Φ20	1
78		Dust ring	Φ27	1

**369212-IVR PARTS LIST**

REF. NO.: 369212-IVR

Ref. code	SKU	Designation	Model/Specification	Qty
79		Adjustable joint	90 degree G3/4-M33*2 (24 degree joint)	2
80		Dryer	10 HP	1
81		Screw handpiece	XLLT55D/7.5 KW	1
82		Vertical shaft on left side of the back shutter	cold rolled steel plate/ δ 1.5	1
83		Back shutter	cold rolled steel plate/ δ 1.2	1
84		Lock	MS719Z1A020002	8
85		Cooling fan	YWF(K)2D300-Z	1
86		Outer hexagon bolt	M6 \times 20	4
87		Spring washer φ 6	Φ 6	4
88		Flat gasket φ 6	Φ 6	4
89		Vertical shaft on right side of the back shutter	cold rolled steel plate/ δ 1.5	1
90		Fine oil differentiating return pipe	Φ 10	1
91		Head cover	cold rolled steel plate/ δ 1.5	1
92		Plate-fin heat exchanger	380 \times 330 \times 65	1